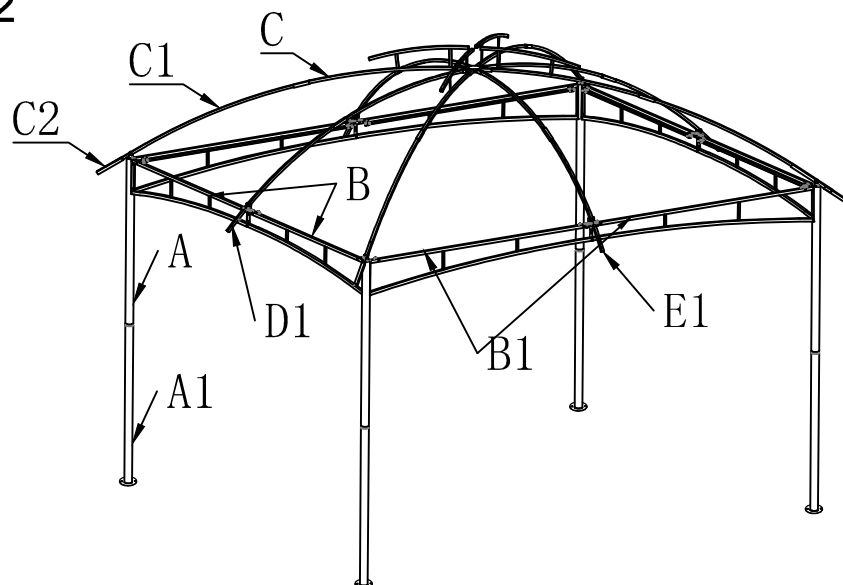


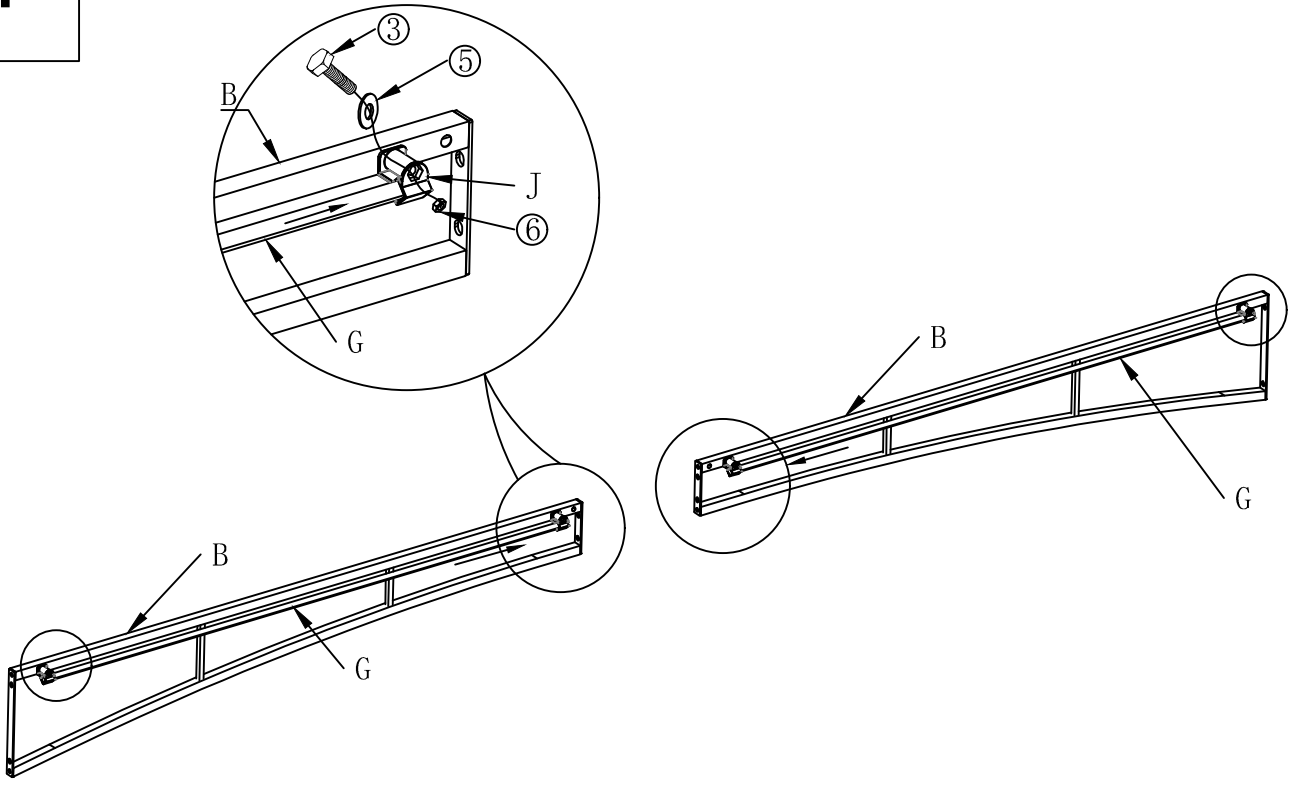
NO.	COMPONENT	QTY
A		4
A1		4
B		4
B1		4
C		4
C1		4
C2		4
D		2
D1		2
E		2
E1		2
F		1
G		4
G1		4
H		4
H1		4
H2		4

NO.	COMPONENT	QTY
J		16
K		36
Q		1
R		1
S		4
1	M6*16	12+1
2	M6*30	24+1
3	M6*45	16+1
4	M6*60	8+1
5	M6	56+2
6	M6	56+2
M	带M6螺母	1
N		12
N1	M8	8
P		4
	M6/M8	2

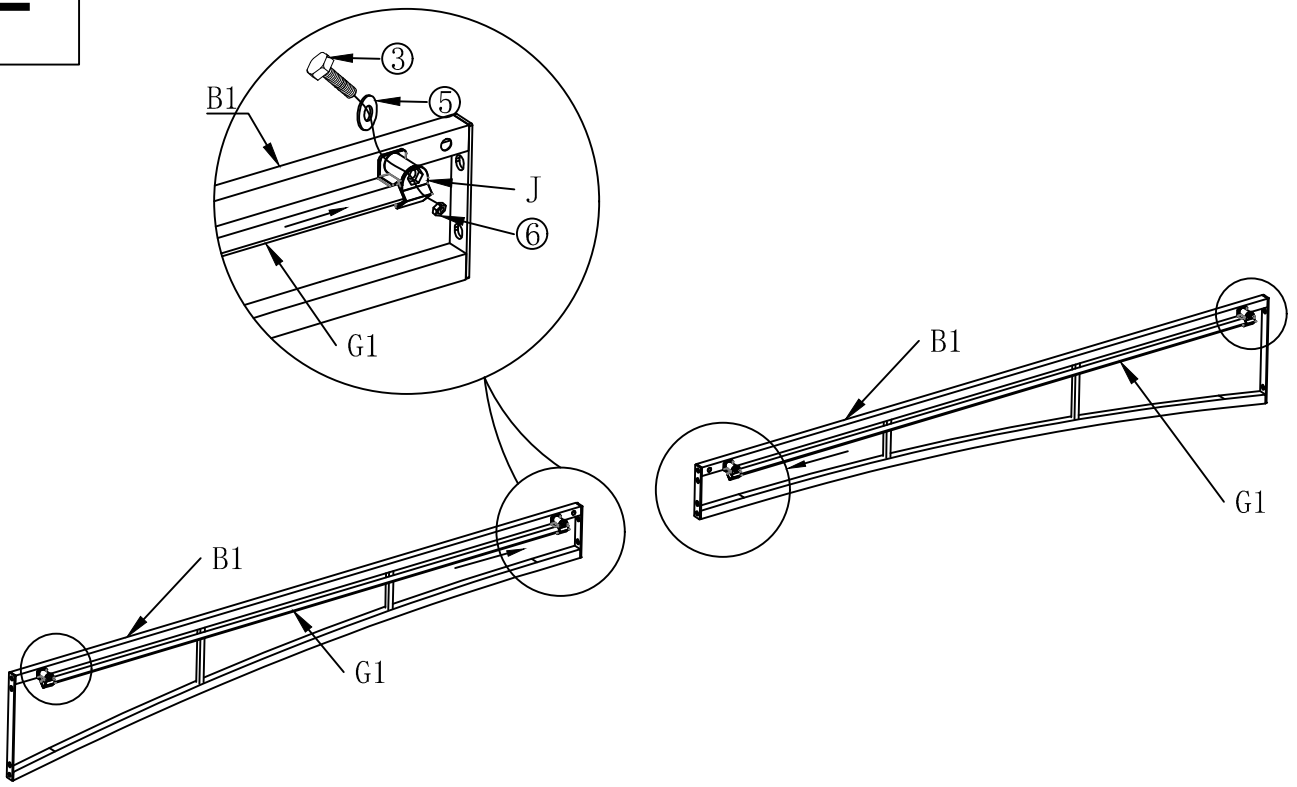
DU657-2



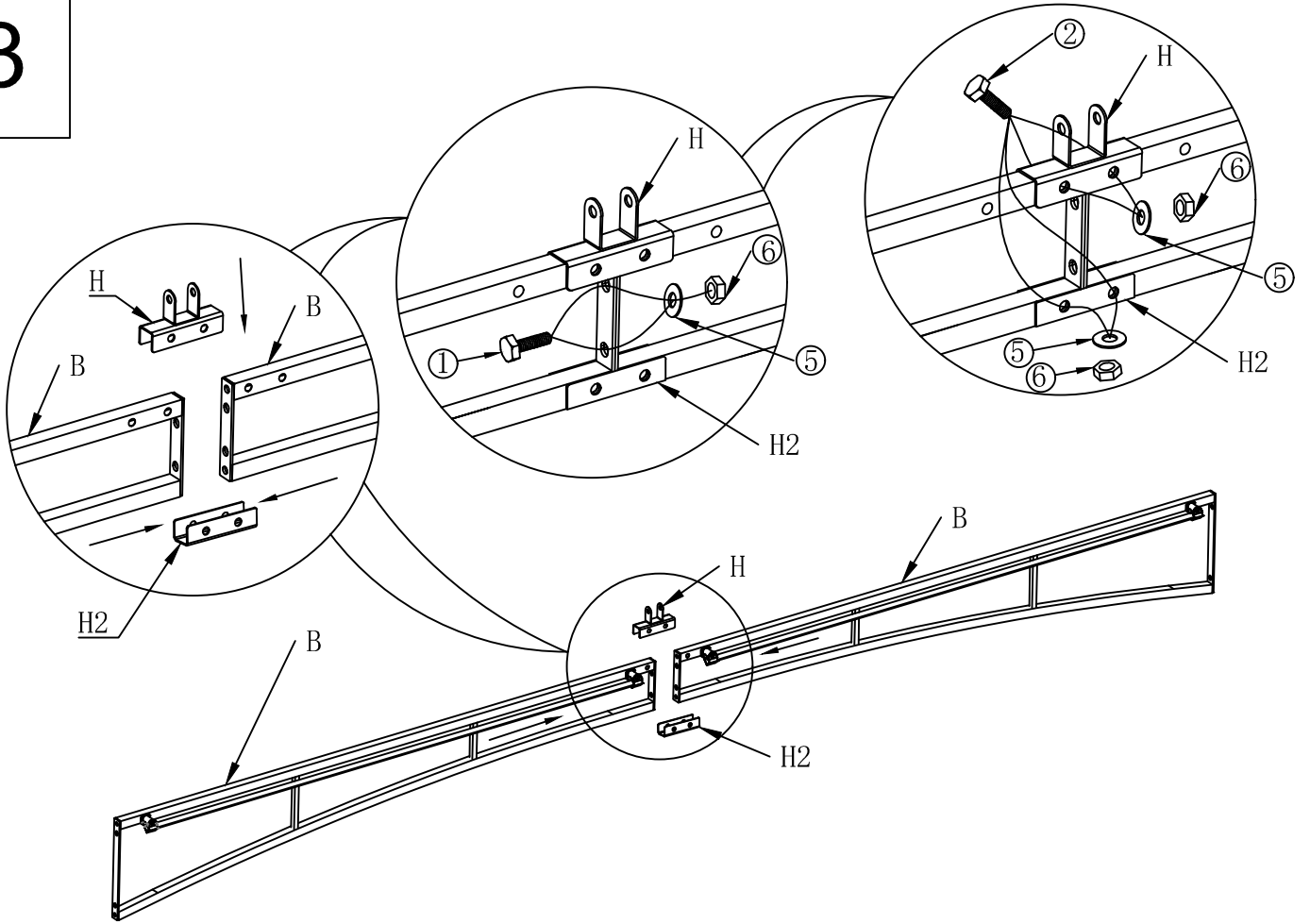
1



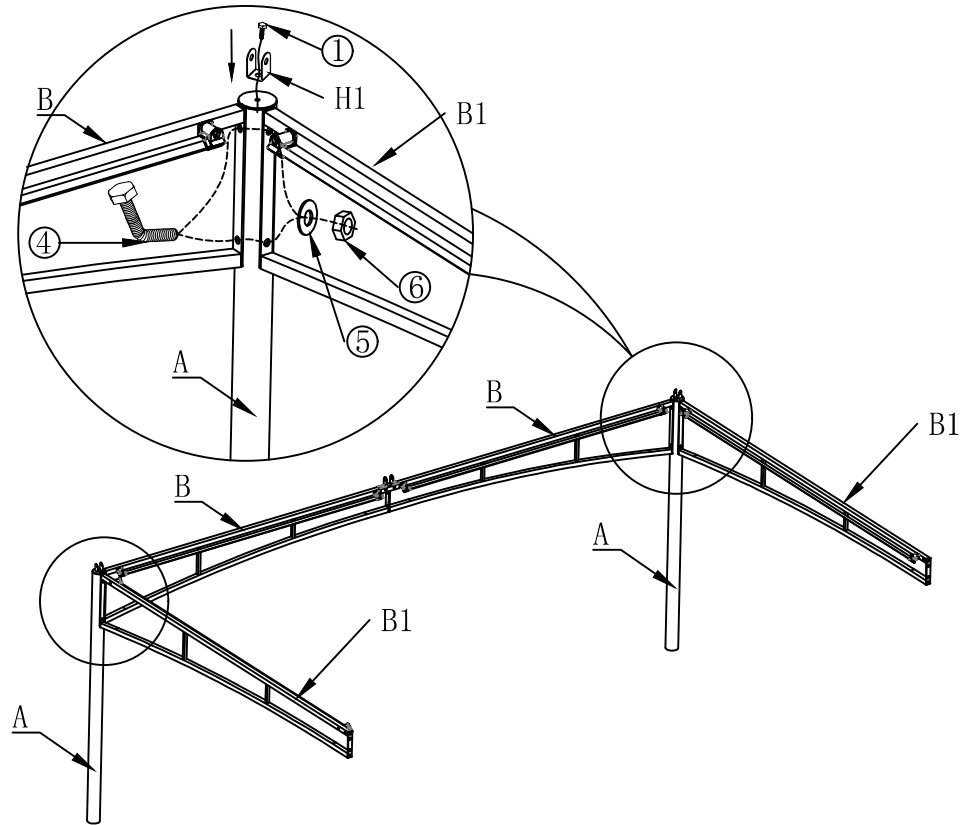
2



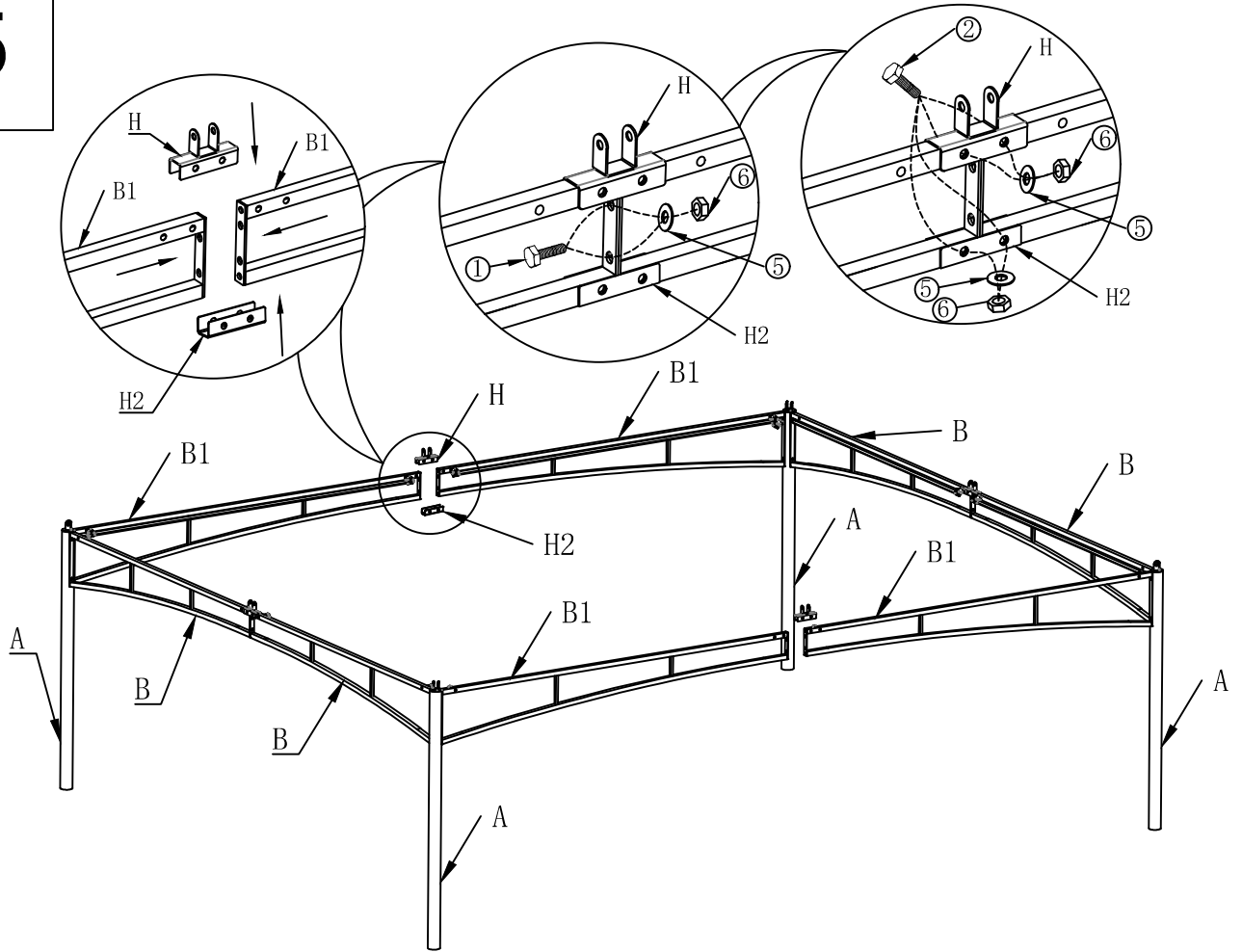
3



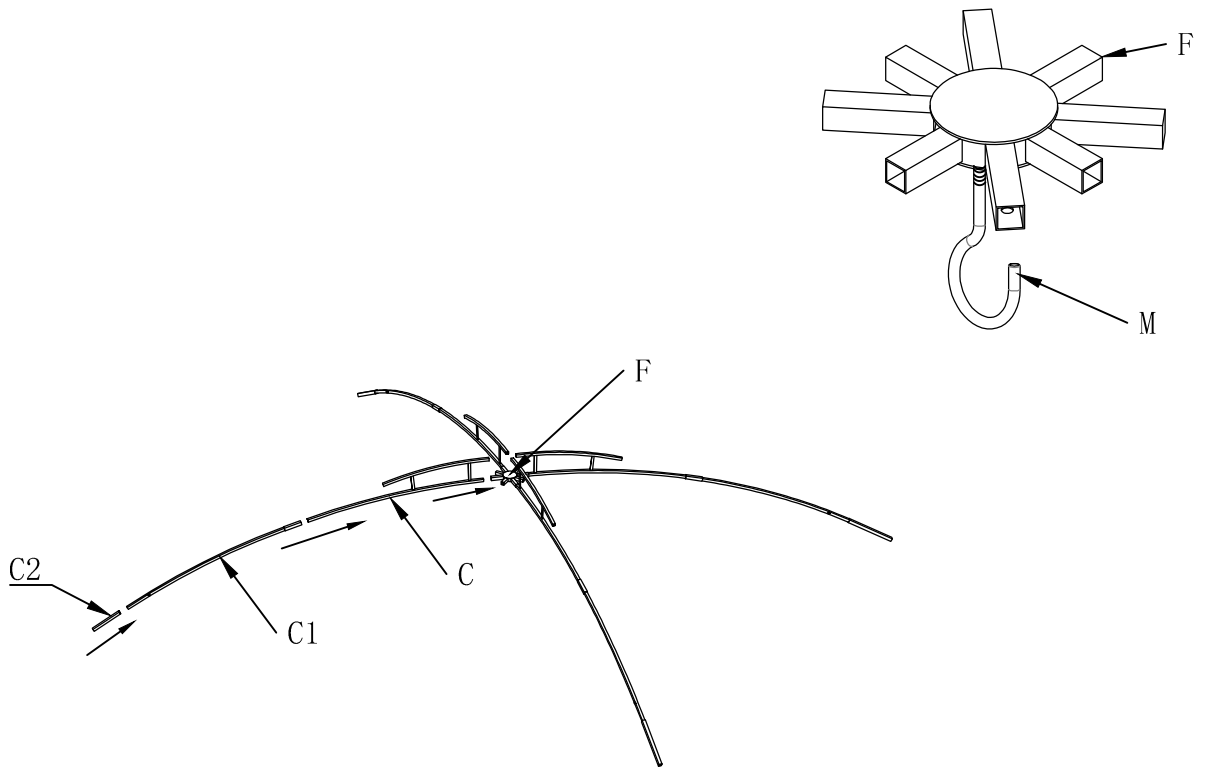
4



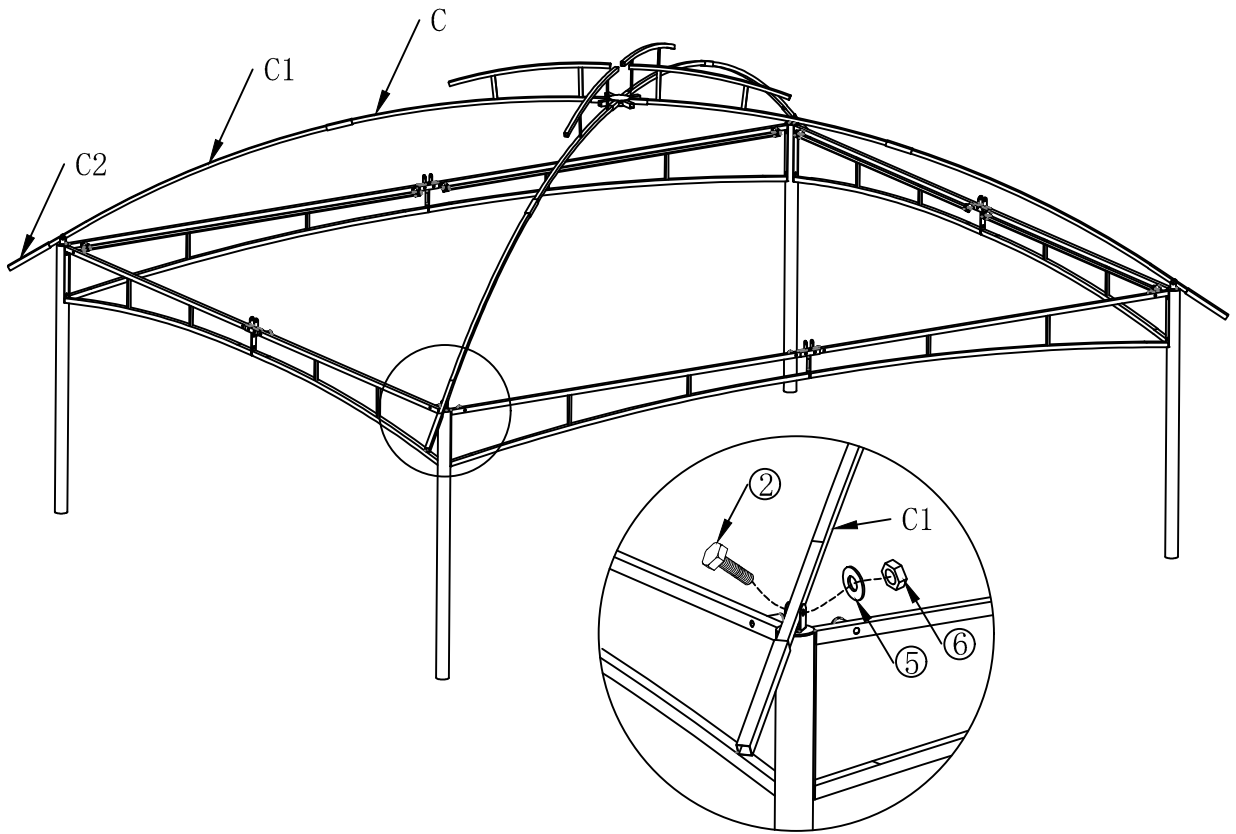
5



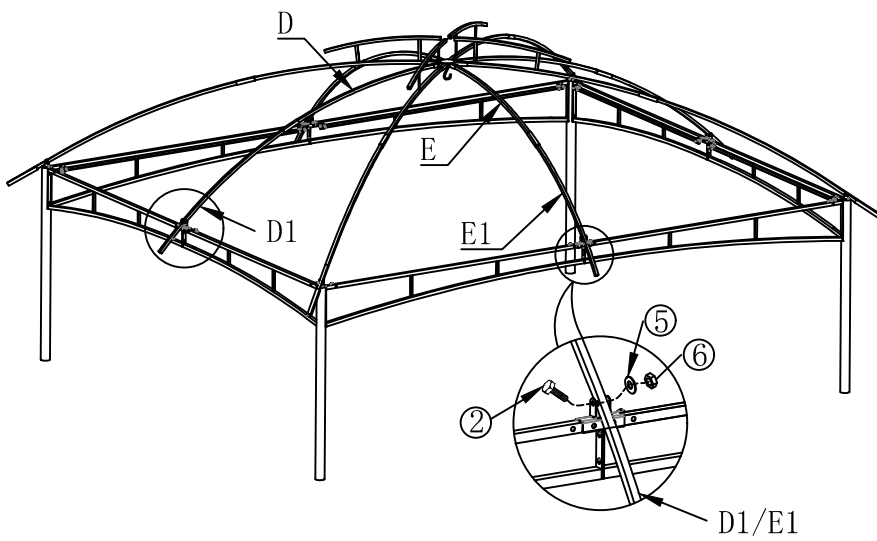
6



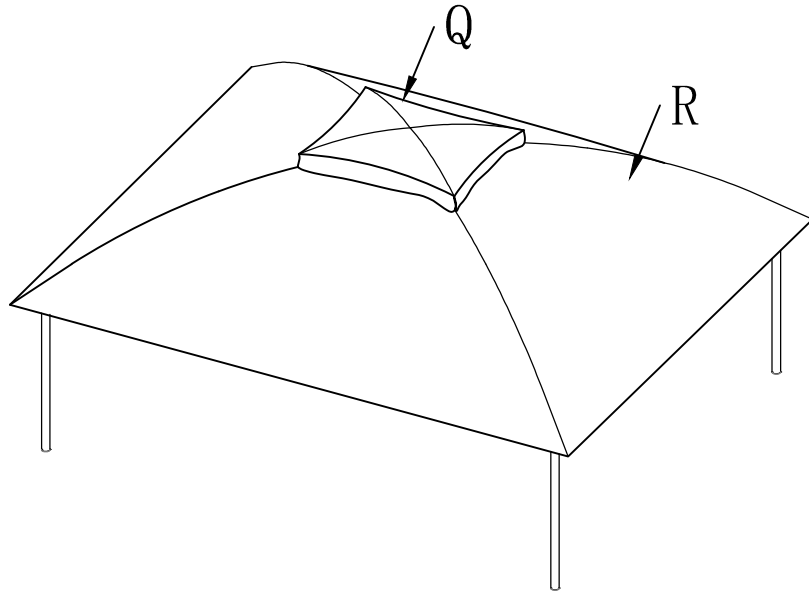
7



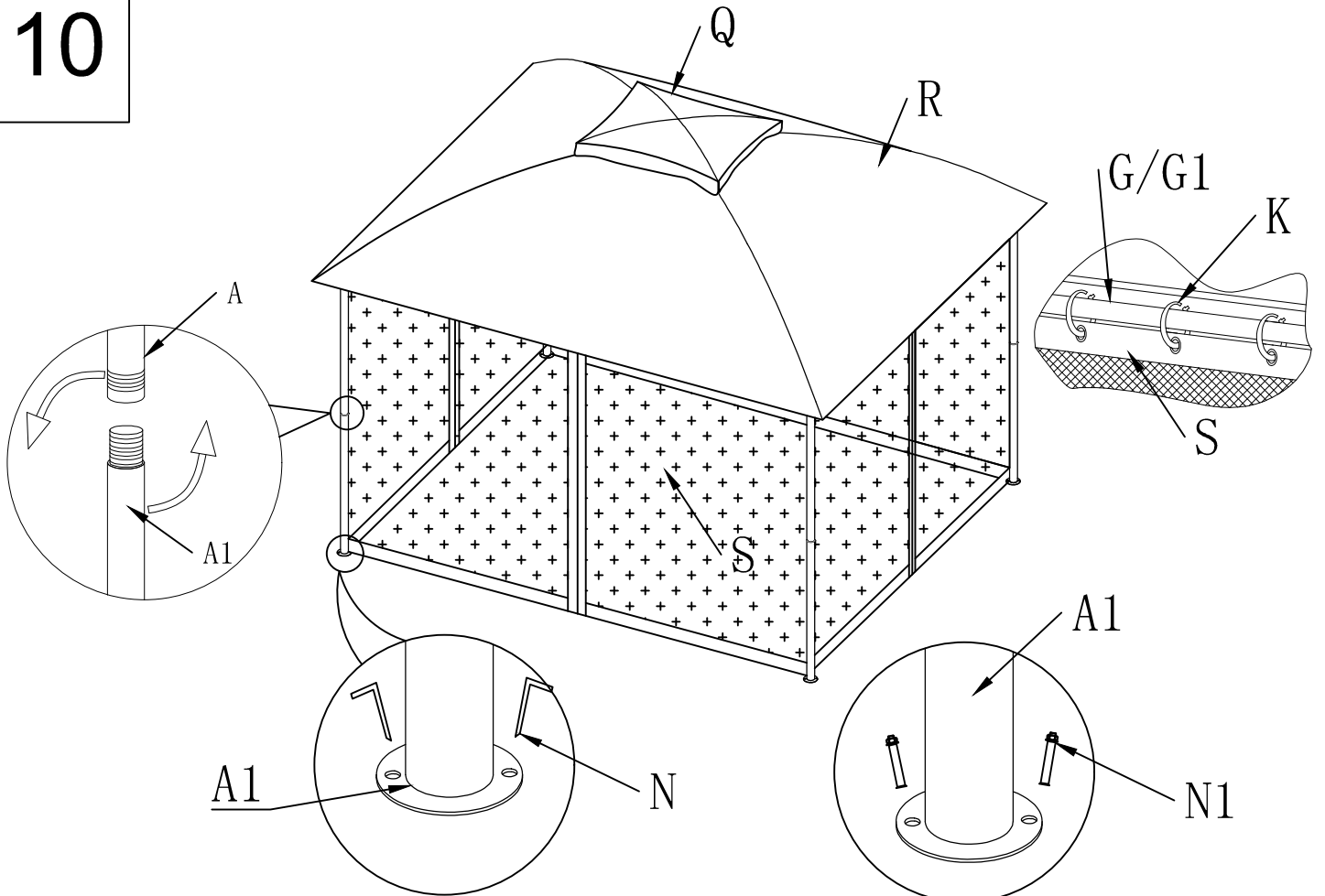
8



9



10



11

