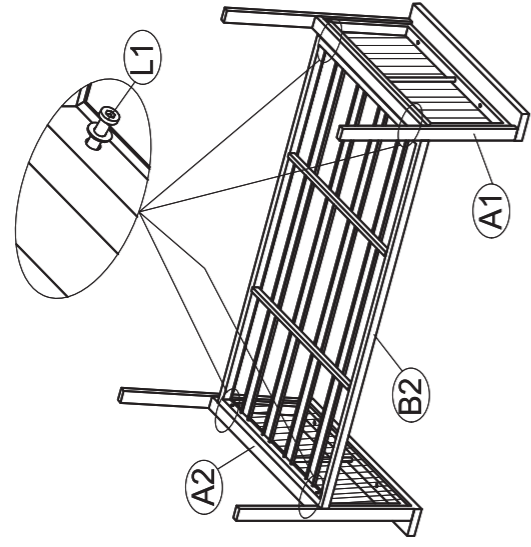


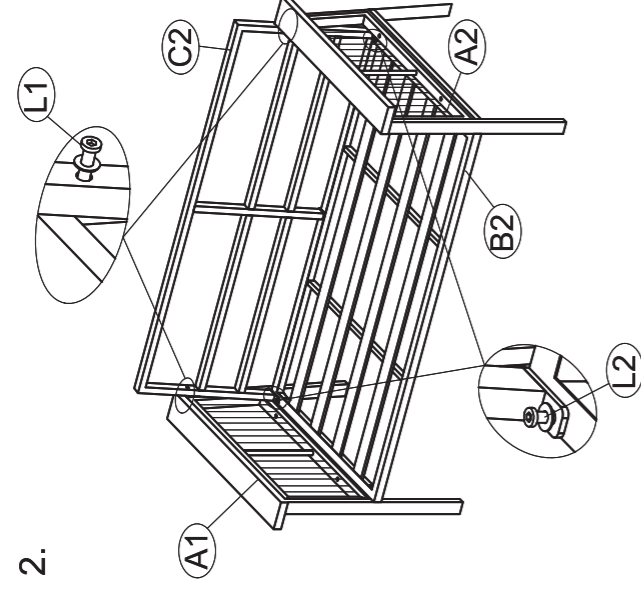
HY002

	(A1) 1
	(A2) 1
	(B2) 1
	(C2) 1
	D 2
	E 2
	(L1) 6 M6 x 35
	(L2) 3 M6 x 15
	G 1

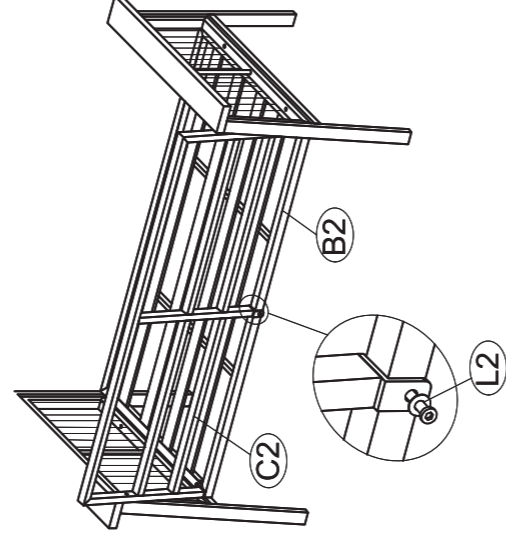
1.



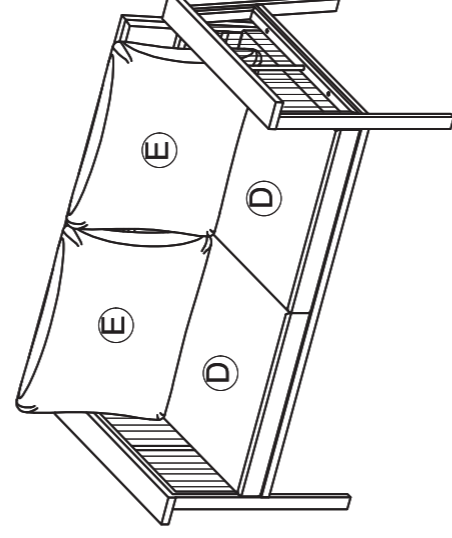
2.



3.



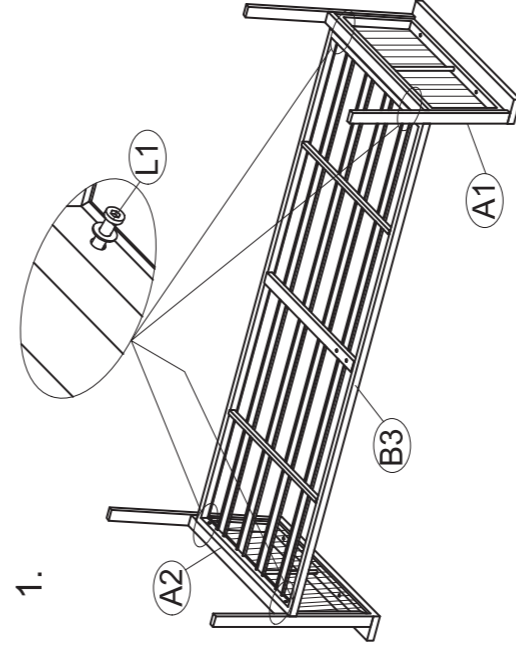
4.



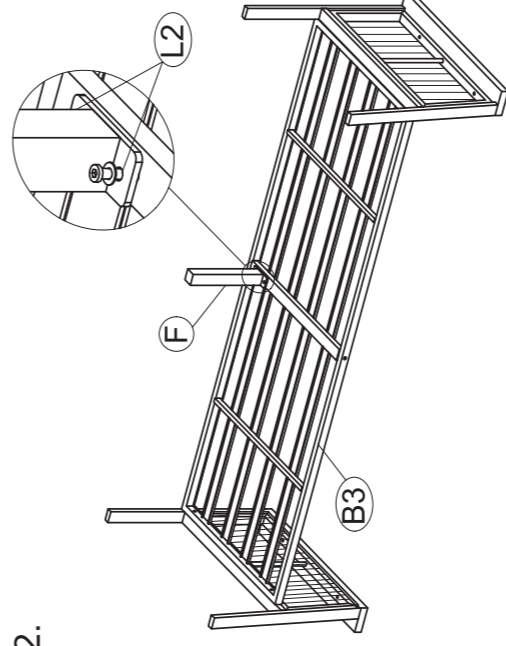
HY002

	(A1) 1
	(A2) 1
	(B3) 1
	(C3) 1
	F 1
	D 3
	E 3
	(L1) 6 M6 x 35
	(L2) 5 M6 x 15

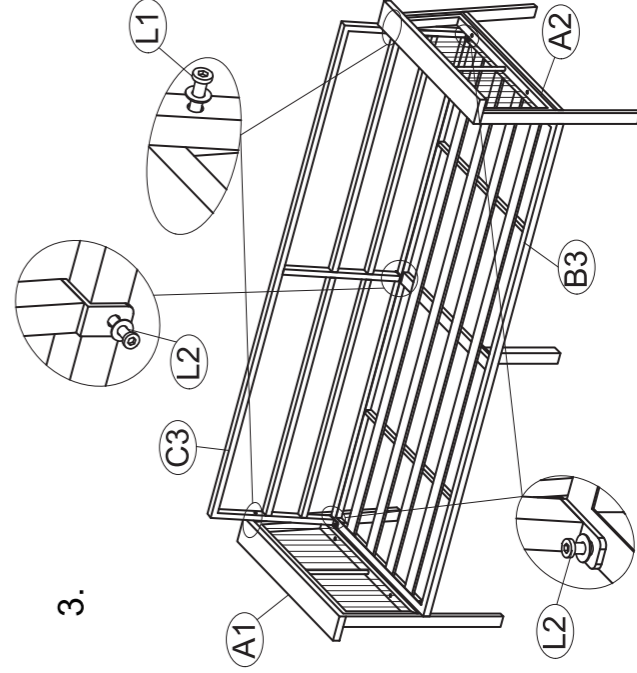
1.



2.



3.



4.

